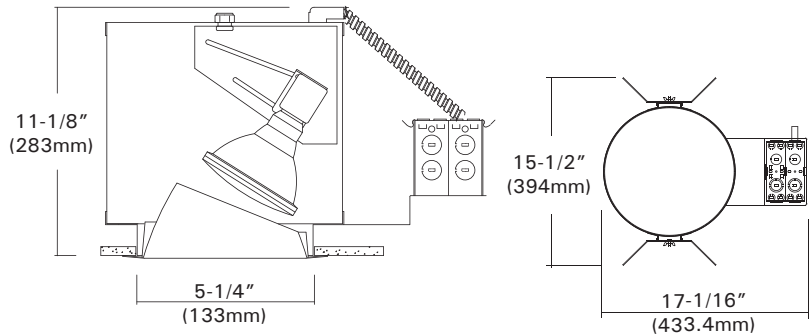


# DL-8550A

## 5" Architectural Frame Internally Adjustable Wall Wash & Directional PAR20 Lamp

Catalog #		Type
Project		Date
Prepared by		

INCANDESCENT



### DESCRIPTION

The 5" with wall wash reflector with convex lens for smooth illumination on vertical surface, or with open wall wash slope reflector for PAR lamp directional 0~42° tilt and 358° rotation with positive locking.

### DESIGN FEATURES

Ceiling Cut-out : 5-1/2"  
Lamp, Max, Watt. : 50W / PAR20

#### ◦ Housing

- C-UL listed, NON-IC, thermally protected housing for vertical PAR 20 incandescent lamps.
- Black painted heavy metal housing and compact frames designed to fit in commercial / architectural construction.
- 1-5/8" deep collar may use for various thickness of ceiling materials.

#### ◦ Junction Box

- Listed for through branch circuit wiring. (Max. 8 No 12 AWG 90°C branch circuit conductors. (4 in, 4 out))
- (5) 1/2" knockouts with true pry-out slots and (4) knockouts with Romex cable clamp.
- Ground wire provided on J-box.

#### ◦ Mounting Channel Bracket

- Commercial mounting kit provided up to 5" vertical adjustment, which accommodates 1/2" EMT conduit, optional HB-24 or HBC-24 bar hanger or lathing channels for T-bar grid or concealed spline ceiling.

#### ◦ Trims

- Lens wall wash and open wall wash reflectors, also available slope baffle trims.

#### ◦ Thermal Protector

- Self resetting thermal detector on J-box deactivates fixture if overheating occurs due to improper lamping or misapplied insulation.

#### ◦ Direction adjustment

- Adjustable lamp direction in 358° rotation and 0~42° tilt with positive locking mechanism in adjustable bracket.

# Trims

## 5" Internally Adjustable Wall Wash Trims For

DL-8550A, DL-8551A, DL-8550H, DL-8551H, DL-8550TH, DLH-8550

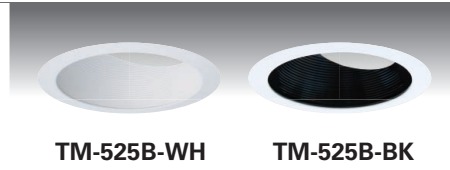
Catalog #		Type
Project		Date
Prepared by		

### INCANDESCENT & METAL HALIDE & HALOGEN

#### TM-525B

**Slope Baffle**  
*MR16, PAR20*  
**T4.5**

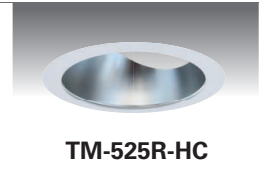
White Metal Trim Ring  
O.D : 5-3/4"



#### TM-525R

**Slope Clear Reflector**  
*MR16, PAR20*  
**T4.5**

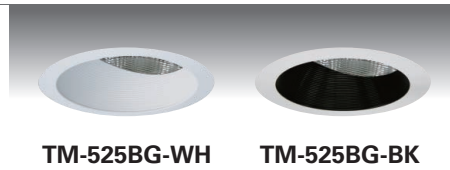
White Metal Trim Ring  
O.D : 5-3/4"



#### TM-525BG

**Slope Baffle w/ Convex Prismatic Lens**  
*MR16, PAR20*  
**T4.5**

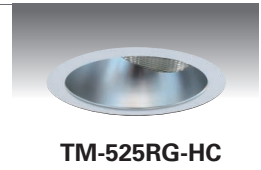
White Metal Trim Ring  
O.D : 5-3/4"



#### TM-525RG

**Slope Reflector w/ Convex Prismatic Lens**  
*MR16, PAR20*  
**T4.5**

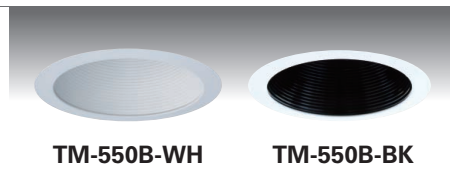
White Metal Trim Ring  
O.D : 5-3/4"



#### TM-550B

**Straight Baffle**  
*MR16, PAR20*  
**T4.5**

White Metal Trim Ring  
O.D : 5-3/4"



#### TM-550R

**Straight Reflector**  
*MR16, PAR20*  
**T4.5**

White Metal Trim Ring  
O.D : 5-3/4"



### ORDERING INFORMATION

Choose the catalog / finish codes that best suit your needs and enter it on the appropriate line.

TRIM MODEL	REFLECTOR	LENS	BAFFLE	METAL RING
	CL :Clear	FR :Fresnel	WH :White	WH :White
	WH :White	AS :All Sanded	BK :Black	BK :Black
	GD :Gold	CL :Clear	SN :Satin Nickel	SN :Satin Nickel
	MA :Matte Platinum	CV :Convex Prismatic	AN :Antique Nickel	AN :Antique Nickel
	CP :Champagne	AL :Albalite	AC :Antique Copper	AC :Antique Copper
	PR :Pewter	SPL :Comfort Linear	MO :Mocha	MO :Mocha
	HC :Haze Clear		CA :Cappuccino	CA :Cappuccino
			CH :Chrome	CH :Chrome
			UN :Natural Steel	UN :Natural Steel
			PB :Polished Brass	PB :Polished Brass

Examples:

TM-525R-HC-WH = White Trim Ring w/ Haze Clear Slope Reflector  
TM-550R-HC-WH = White Trim Ring w/ Haze Clear Reflector